

**A Guide to the Horn delivery service....**

**A brief explanation of how our delivery system operates:**

Stock availability allowing & unless otherwise stated, all deliveries using our own vehicles will be carried out within a 28 working day period starting from the day of us receiving your order. This is not to be understood that the delivery will actually take place on the 28th day of your order, this period is only meant as a general guide and should be viewed as the maximum period that your delivery might be, it may well be that it will take place sooner than this depending on when we are next in your area. Whatever period it is we will never arrive unannounced and will always give you notice of delivery by telephone usually giving a minimum of 3 days notice with not only the day of delivery but also with a 3 hour delivery slot on that day so as not to inconvenience you more than is needed. **With this, our standard service, we need your flexibility with time which is necessary to allow the delivery to take place with ease.** Some however may require a quicker delivery than this which can be offered by using a specialist outside carrier, but this will incur an extra charge (stock and the area that you live allowing) this can usually be made within a 7-10 day period from us receiving the order. Please note that there is no installation of your cabinet with this service as the delivery isn't made using our representatives, this also applies to any delivery made in Zone C of our map shown below. Contact us for more information on this service or for a tailored quote.

Please be aware that there is one driver to carry out the delivery and he/ she cannot be held under any obligation to take your cabinet upstairs. Any stairs mounted are wholly at the driver's discretion. If you'd like a more personalised answer you can email us photographs of your staircase and we'll be able to tell you more definitely if it's possible or not. When mounting any steps or stairs the cabinet can only be taken up in its box which prevents damage to the unit and to your property. If you can make sure that your stairs are cleared and free of any obstructions for our delivery driver to carry out the task. Please also note that due to weight and size it is not possible for our driver to take the SUPERIOR (2042) or Maxi Hobby table (2005) up any stairs.

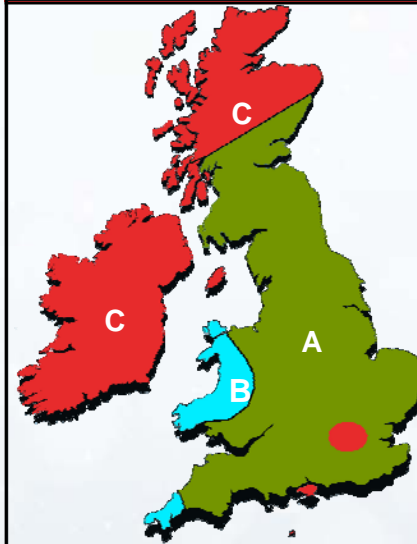
**Zone A £29.00**

**Zone B £39.00**

The Zone B charge in Cornwall applies south of the A3058, St. Austell to Newquay Road

**Zone C Price on request**

We cannot offer our installation service in these area's as deliveries are usually carried out by outside carriers



The Zone C charge in London applies to an address inside the Congestion charge zone.

**HORN..... Exceptional delivery & installation service; ask any existing Horn customer and they will have only praise for our service or take a look at our reviews on our website.**



Dealer Stamp

**To find out where your nearest Horn outlet is or for more product information please contact:**

**Horn Furniture (UK) Limited,**  
Unit 12, Oaktree Business Centre,  
Spitfire Way, South Marston Park,  
Swindon, SN3 4TX.



Tel: (+ 44) 01793 834304  
Email: info@hornfurniture.co.uk  
Web: [www.hornfurniture.co.uk](http://www.hornfurniture.co.uk)

We reserve the right to change the construction, the measures, the colour and the design. All measurements are approximate & accessories are not included. The colours and veins of finishes are subject to technical alteration and deviations, the colours in this brochure are only meant as a guide, accuracy can't be guaranteed. Beech, White, American Grey Oak & Weathered Oak finished units are the same colour inside & out but other finishes have a cream effect interior- if in doubt please request a sample.



2 completely new cabinets, and new colours.



[www.hornfurniture.co.uk](http://www.hornfurniture.co.uk)

*Quality furniture made for the discerning Sewers, Quilters & Crafters amongst you with a service that's second to none!*



2020

**Please take look at the back page for information on our delivery service and the inside back cover for details on how to order a new inset/ insert for your existing Horn sewing cabinet.**

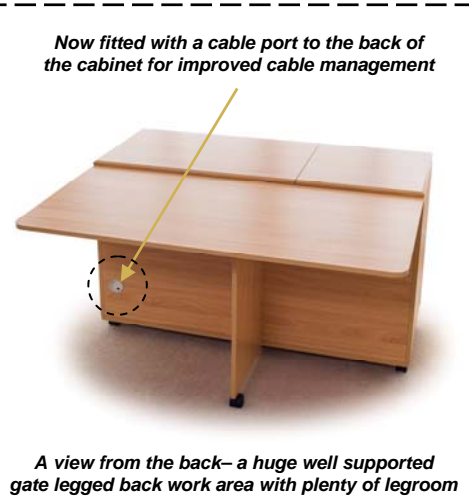


# The SUPERIOR

- our biggest & best, now even better!



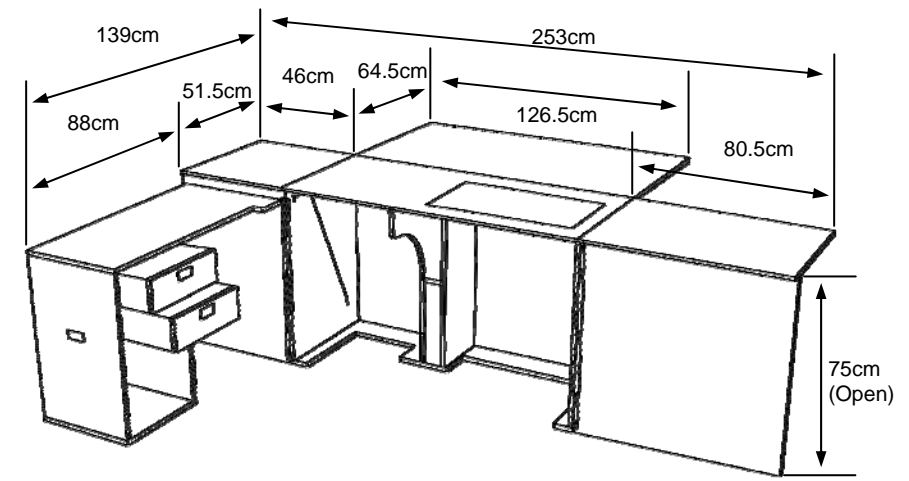
The SUPERIOR - Closed  
From its large proportions when opened, it has the ability to close down dramatically



Now fitted with a cable port to the back of the cabinet for improved cable management

A view from the back - a huge well supported gate legged back work area with plenty of legroom

**Go Electric!**  
You can have an electric lifter fitted to this model  
(See page 37 for more information)



CLOSED - WIDE 126.5cm (50") DEEP 56cm inc. drop leaf back (22") HIGH 76cm (29 3/4")

The SUPERIOR is shown below fully expanded. This clever design allows you to relocate the pull out caddy onto the door by means of keyhole connectors thus giving even greater access & leg room



Huge seating area!

Fitted with our 'inset' design where the inset sits inside the aperture on a ledge thus giving an even flusher, smoother, sturdier surface from table top to machine arm.... You'll love it!



- Fitted with our Maxi-lifter opening (type 1952) which is capable of taking virtually all domestic sewing machines on the market old or new!
- This model arrives fitted with our 3 step push down release air-lift mechanism which means a quick push down moves your machine from storage to flatbed to free-arm positions but this unit also has the option of being fitted with our electric lifter for an extra cost.
- A versatile caddy system which glides out easily and can be positioned for either close-in sewing/ embroidery or quickly expanded to a more spacious operating set up.
- A huge work area at the back of the machine which prevents the needle drag that can happen with large projects. Lifts up easily when needed and down when not (so it doesn't have to be open all the time). It has a very sturdy gate leg design with Quilters/ Patchworkers in mind but is ideal for all sewing projects.
- Stores both a sewing machine and an overlocker or maybe a second smaller portable workshop class machine.
- Hides both your machines away in a beautiful cabinet that is lockable with a key. No one would ever know.
- One acrylic flatbed inset plate cut to fit your sewing machine is included with this model.
- Attractive soft formed edging finish to the tops.
- Arrives fully assembled.



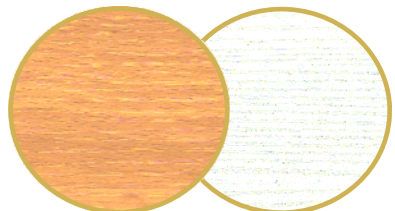
The pull-out caddy in the closed position



The pull-out caddy in a partially open position so you can see how the clever table idea rises up into position



## Colour Chart



Beech, White

MODEL 2042 Price includes a 1952 flatbed inset (The Cutting mat shown is an optional extra - see page 29)

Fitted with our Horn Maxi air-lifter! (Type 1952)  
Ideal for the new extra large sewing machines - such as the Pfaff Icon, Bernina 700 & 800 series, Brother V series, Janome Horizon Range and Husqvarna Epic's amongst others but its not just for larger machines its also ideal for all normal sized domestic sewing machines too!  
(Take a look at page 36 to see how our air-lift works)

PLEASE NOTE: Due to its size and weight we regret that this cabinet is too large to be taken up an internal staircase by our driver.



The **New**  
Horn **SUPER Q!**

- this will answer all your needs- a truly fabulous unit!



The **SUPER Q** - Closed down  
(with hole filler piece in place)

Showing the back work area up - rigid stability on the 2 supporting legs!

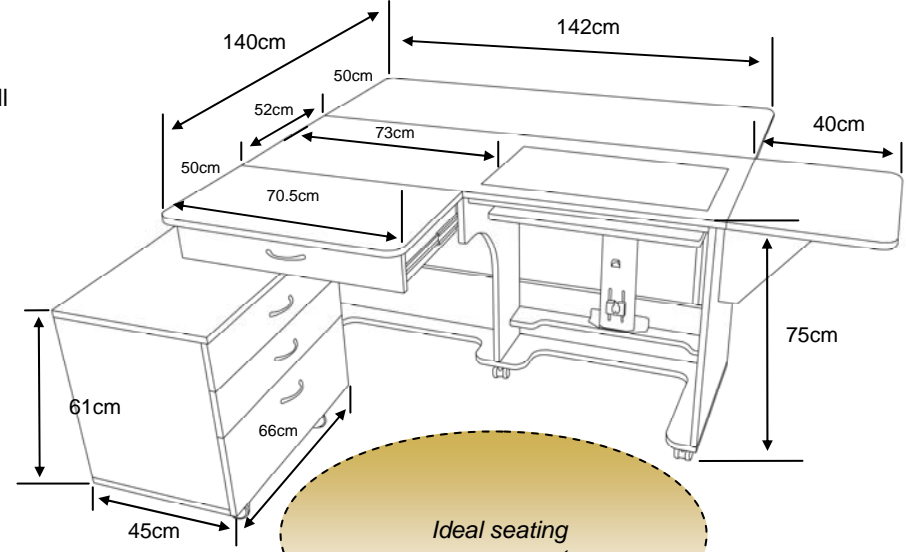


Showing the back work surface down



**INCLUDED-** a slot in filler piece for the top drawer that gives even greater supported work area but more importantly can also be removed if you want to give yourself greater seating space.

- Fitted with our Maxi-lifter opening (type 1942) which is capable of taking virtually all domestic sewing machines on the market old or new!
- This model arrives fitted with our 3 step push down release air-lift mechanism which means a quick push down moves your machine from storage to flatbed to free-arm positions.
- A huge bank of large drawers. One in the main unit and 3 on a mobile separate caddy, that can be positioned wherever is best in relation to your project at that particular time.
- Supplied with a slot in filler piece for the top drawer for even greater supported work area but can also be removed if you want to give yourself greater seating space.
- A huge work area at the back of the machine which prevents the needle drag that can happen with large projects. It which lifts up easily when needed and down when not (so it doesn't have to be open all the time). It has a very sturdy gate leg design with Quilters/ Patchworkers in mind but is ideal for all sewing projects.
- Slot in filler for above the machine when its away to give a large work area.
- One acrylic inset plate cut to fit your sewing machine is included with this model.
- Arrives fully assembled.



**CLOSED - WIDE 142cm (56") DEEP 52cm (20½") HIGH 75cm (29½")**



Fitted with our 'inset' design where the inset sits inside the aperture on a ledge thus giving an even flusher, smoother, sturdier surface from table top to machine arm.... You'll love it!



**New**  
Completely new model!



The **SUPER Q** comes with a huge bank of drawers which allows everything to be close to hand also the separate drawer unit is completely independent of the main unit allowing it to be moved away and positioned wherever you like.

**Colour Chart**

**Weathered Oak, American Grey Oak  
Beech & White**

Fitted with our Horn Maxi air-lifter! (Type 1942) Ideal for the new extra large sewing machines—such as the Pfaff Icon, Bernina 700 & 800 series, Brother V series, Janome Horizon Range and Husqvarna Epic's amongst others but its not just for larger machines its also ideal for all normal sized domestic sewing machines too!  
(Take a look at page 36 to see how our air-lift works)

**MODEL 2052 Price includes one flatbed inset** (The Cutting mat shown is an optional extra - see page 29)

**PLEASE NOTE:** Depending on your stairs and due to its size we must advise you that this cabinet maybe too big to be taken up an internal staircase by our driver. If you have any doubts please contact us to check for more information before purchasing.



# The Maxi-ECLIPSE

- our most popular cabinet ... better than ever!

Our most popular cabinet ever!



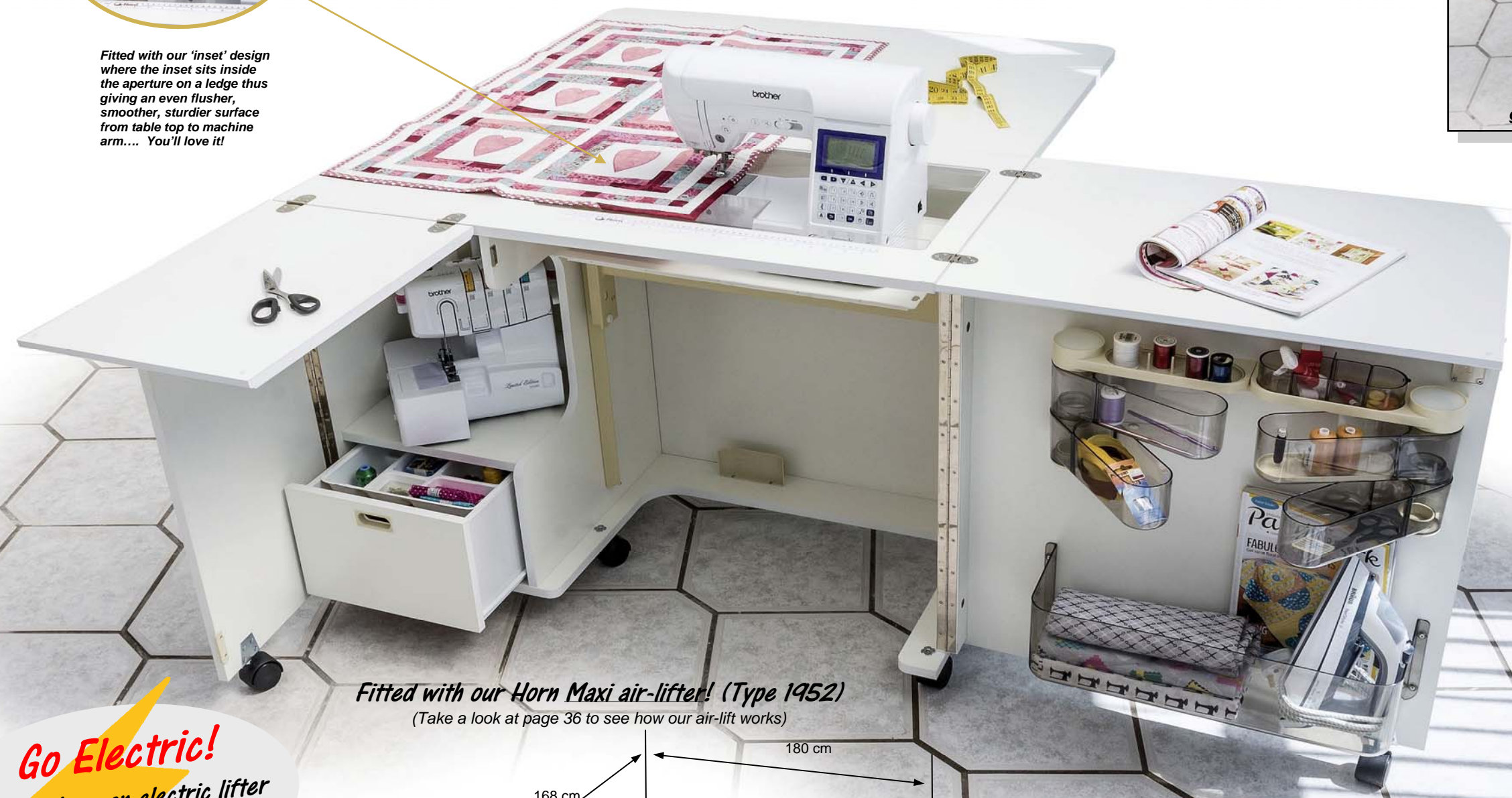
Fitted with our 'inset' design where the inset sits inside the aperture on a ledge thus giving an even flusher, smoother, sturdier surface from table top to machine arm.... You'll love it!



Now fitted with a cable port to the back of the cabinet for improved cable management



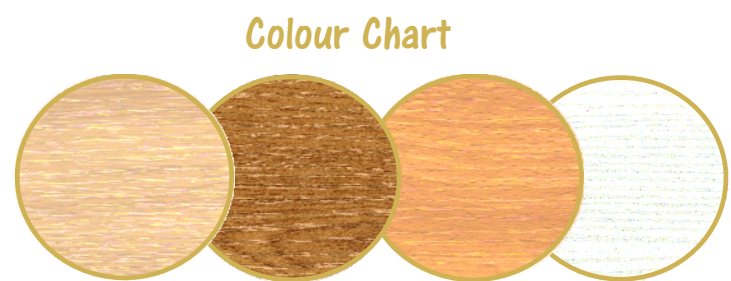
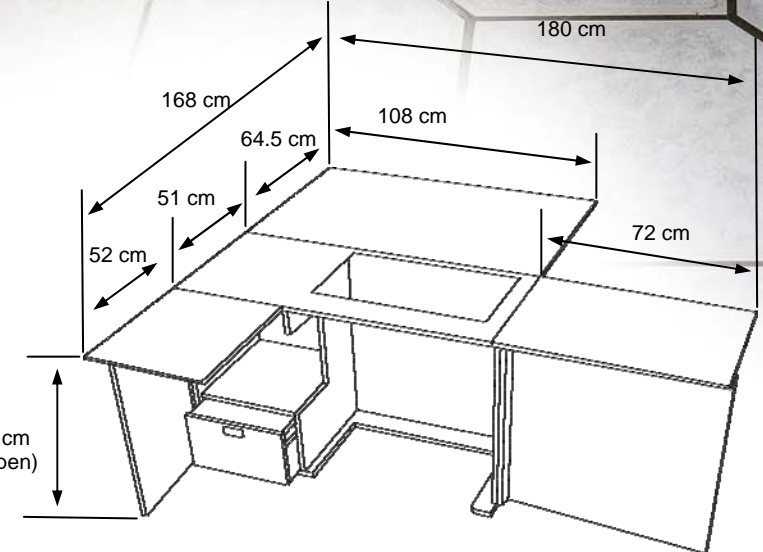
The ECLIPSE - shown here from the back view - gives a huge, sturdy, gate leg supported work area



- Fitted with our Maxi-lifter opening (type 1952) which is capable of taking virtually all domestic sewing machines on the market old or new!
- This model arrives fitted with our 3 step push down release air-lift mechanism which means a quick push down moves your machine from storage to flatbed to free-arm positions but this unit also has the option of being fitted with our electric lifter for an extra cost.
- Transparent door storage bins are recessed under the lid by means of a specially constructed angled door system this allows your fabric to drape down without catching or disturbing the door bin contents.
- A huge work area at the back of the machine which prevents the needle drag that can happen with large projects. Lifts up easily when needed and down when not (so it doesn't have to be open all the time). It has a very sturdy gate leg design with Quilters/ Patchworkers in mind but is ideal for all sewing projects.
- Stores both a sewing machine and an overlocker, or maybe a second smaller portable, workshop machine.
- Hides both your machines away in a beautiful cabinet that is lockable with a key. No one would ever know.
- One acrylic flatbed inset plate cut to fit your sewing machine is included with this model.
- Attractive soft formed edging finish to the tops.
- Arrives fully assembled.

Fitted with our Horn Maxi air-lifter! (Type 1952)  
(Take a look at page 36 to see how our air-lift works)

**Go Electric!**  
You can have an electric lifter fitted to this model  
(See page 37 for more information)



Light Oak, Medium Oak, Beech & White

CLOSED - WIDE 108cm (42½") DEEP 57cm inc. drop leaf back (22½") HIGH 76cm (29¾")  
 (Internal dims for overlocker space - WIDE 34cm, DEEP 47.5cm, HIGH 42cm)



The ECLIPSE - Very compact when closed. Shown here in our clean white finish.



**The  
QUILTER'S  
DELIGHT MK2**

- a uniquely designed Quilting table..... for you & your sewing machine!



The QD2 - Closed down  
(with hole filler piece in place)

Fitted with our 'inset' design where the inset sits inside the aperture on a ledge thus giving an even flusher, smoother, sturdier surface from table top to machine arm.... You'll love it!



INCLUDED- the QD2 is automatically supplied with a filler piece which fills in the hole left when your machine is stored away, so with the back area up it will create a large solid cutting area.

Huge working area when your machine is away and the back area is up



The QD2 - showing the back work surface down



The QD2 - with the back work area up - rigid stability on the 2 supporting legs!

You can add to your storage with our Rolla storage unit



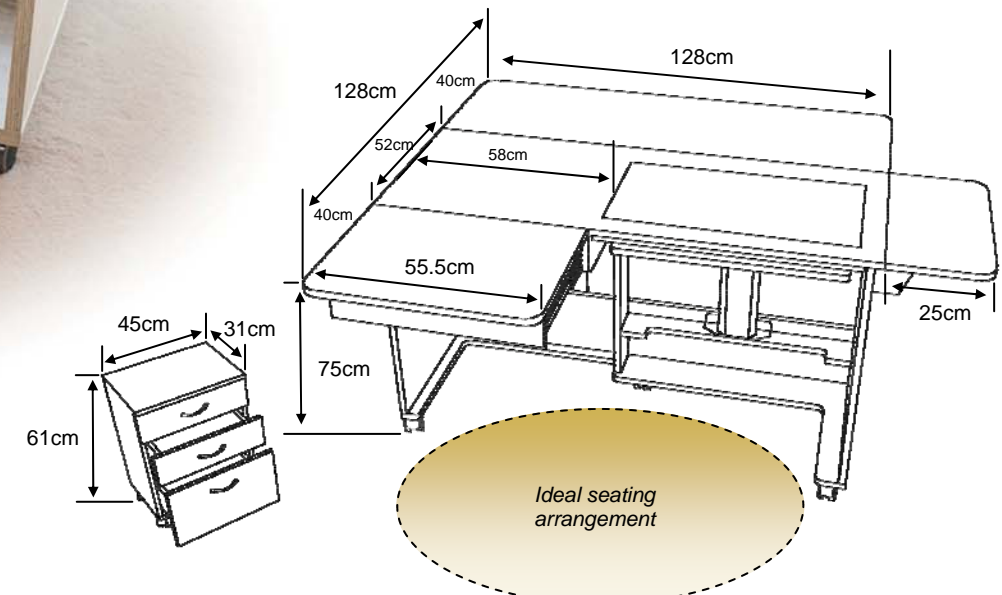
INCLUDED- a handy mobile set of drawers which when stored sits tidily inside the main table, so reducing its floor space, but when pulled out to be used it can be moved to any position best suited for you.



- Fitted with our Maxi-lifter opening (type 1942) which is capable of taking virtually all domestic sewing machines on the market old or new!
- This model arrives fitted with our 3 step push down release air-lift mechanism which means a quick push down moves your machine from storage to flatbed to free-arm positions.
- A Handy set of mobile drawers are included, that can be positioned where ever is best in relation to your project at that particular time.
- A large work area at the back of the machine which prevents the needle drag that can happen with large projects. It lifts up easily when needed and down when not (so it doesn't have to be open all the time). It has a very sturdy dual gate leg design with Quilters/ Patchworkers in mind but is ideal for all sewing projects.
- Slot in filler for above the machine when its away. This gives you a large area to cut out, piece on etc...
- One acrylic inset plate cut to fit your sewing machine is included with this model.
- Arrives fully assembled.

**New**  
Now in 2 super new finishes

Fitted with our Horn Maxi air-lifter! (Type 1942)  
Ideal for larger sewing machines— such as the Bernina 700 series, Brother V Series Janome Horizon Range amongst others but its not just for larger machines its also ideal for all normal sized domestic sewing machines too!  
(Take a look at page 36 to see how the air-lift works)

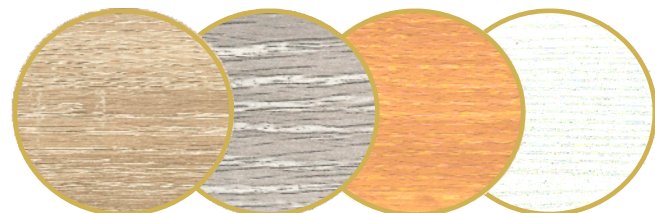


Ideal seating arrangement

CLOSED - WIDE 127cm (50") DEEP 52cm inc. drop leaf back (20") HIGH 74cm (29")

MODEL 2032 Price includes one flatbed inset (The Cutting mat shown is an optional extra - see pg.29)

**Colour Chart**



Weathered Oak, American Grey Oak  
Beech & White

Please note that this cabinet is very big and any stairs mounted will be at the driver's discretion



# The Maxi OUTBACK

- one of our most compact units that can fit the largest Machines!



The Maxi Outback- Pictured here in our Beech finish

Just 2ft 9ins by 1ft 10ins when its closed!



When the back work area's up, its ideal for working on.

(The Cutting mat shown is an optional extra, pg.29)

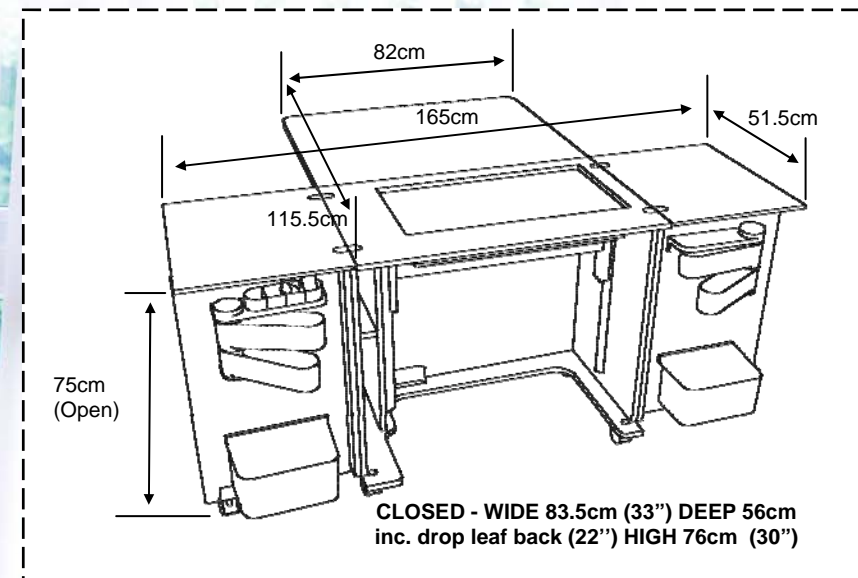
Now fitted with a cable port in the back of the cabinet for improved cable management



Fitted with our 'inset' design where the inset sits inside the aperture on a ledge thus giving an even flusher, smoother, sturdier surface from table top to machine arm.... You'll love it!



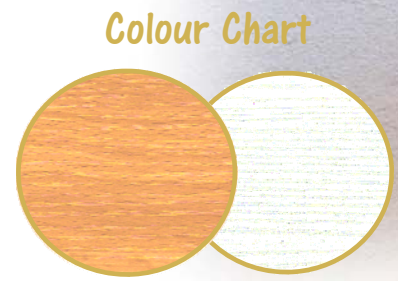
The Maxi Outback is one of our most compact cabinets that will fit virtually all the big long armed sewing/ quilting machines!



**Go Electric!**  
You can have an electric lifter fitted to this model  
(See page 37 for more information)

- Fitted with our Maxi-lifter opening (type 1952) which is capable of taking virtually all domestic sewing machines on the market old or new!
- This model arrives fitted with our 3 step push down release air-lift mechanism which means a quick push down moves your machine from storage to flatbed to free-arm positions but this unit also has the option of being fitted with our electric lifter for an extra cost.
- A large work area at the back of the machine which prevents the needle drag that can happen with large projects. Lifts up easily when needed and down when not (so it doesn't have to be open all the time). It has a very sturdy gate leg design with Quilters/ Patchworkers in mind but is ideal for all sewing projects.
- Shut the doors and it hides your machine away in a beautiful cabinet. No one would ever know.
- One acrylic flatbed inset plate cut to fit your sewing machine is included with this model.
- Arrives fully assembled.

One of our smallest unit to be fitted with our Horn Maxi air-lifter! (Type 1952)  
Ideal for the new extra large sewing machines—such as the Pfaff Icon, Bernina 700 & 800 series, Brother V series, Janome Horizon Range and Husqvarna Epic's amongst others but its not just for larger machines its also ideal for all normal sized domestic sewing machines too!  
(Take a look at page 36 to see how our air-lift works)



Beech, White

MODEL 1052 Price includes one flatbed inset (The Cutting mat shown is an optional extra - see pg.29)



**The New Horn GEMINI XL!**

- a great new addition to our compact Sewing / Quilting range



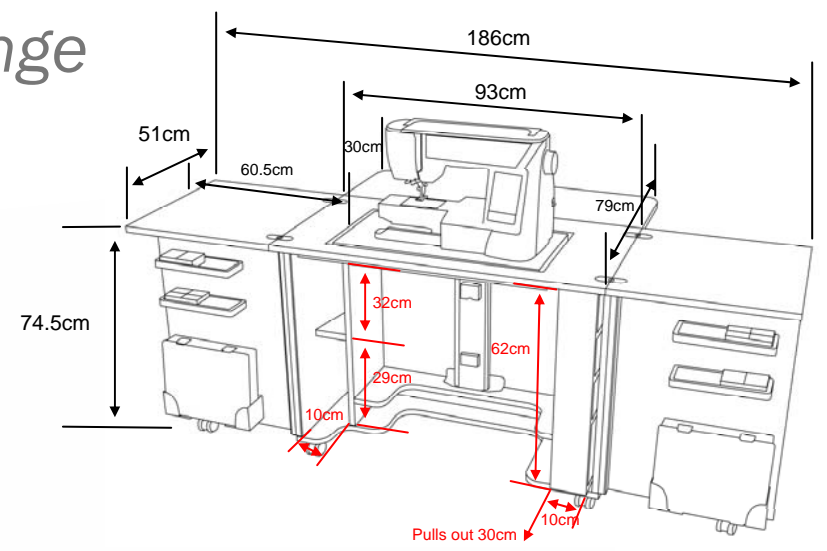
The GEMINI XL- Still so compact!  
Pictured here in our new Weathered Oak finish

*Still very Compact!*

Fitted with our 'inset' design where the inset sits inside the aperture on a ledge thus giving an even flusher, smoother, sturdier surface from table top to machine arm.... You'll love it!



Fitted with a handy supported back work area



CLOSED - WIDE 93cm (36½") DEEP inc. drop leaf back 51cm (20") HIGH 76cm (30")

**NEED MORE STORAGE?**  
You can add a Rolla storage unit to match in with his model!

*Everything the Gemini offers and so much more*



- Fitted with our Maxi-lifter opening (type 1942) which is capable of taking virtually all domestic sewing machines on the market old or new!
- This model arrives fitted with our 3 step push down release air-lift mechanism which means a quick push down moves your machine from storage to flatbed to free-arm.
- A work area at the back of the machine which prevents the needle drag that can happen with large projects. Lifts up easily when needed and down when not (so it doesn't have to be open all the time). It has a very sturdy gate leg design with Quilters/ Patchworkers in mind but is ideal for all sewing projects.
- Unique slide-out extra storage idea.
- Shut the doors and it hides your machine away in a beautiful cabinet. No one would ever know.
- One acrylic flatbed inset plate cut to fit your sewing machine is included with this model.
- Arrives fully assembled.

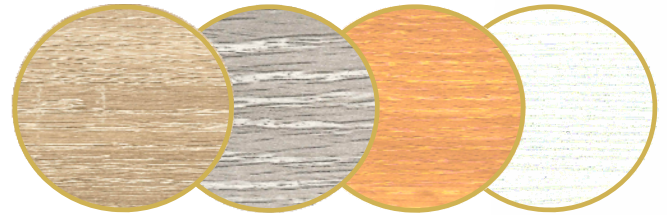
**New**  
Completely new model!



Extra Stowage!- Unique space saving slide-out storage idea

One of our smallest unit to be fitted with our Horn Maxi air-lifter! (Type 1942)  
Ideal for the new extra large sewing machines—such as the Pfaff Icon, Bernina 700 & 800 series, Brother V series, Janome Horizon Range and Husqvarna Epic's amongst others but its not just for larger machines its also ideal for all normal sized domestic sewing machines too!  
(Take a look at page 36 to see how our air-lift works)

**Colour Chart**



Weathered Oak, American Grey Oak  
Beech & White



The GEMINI

- a super compact Sewing / Quilting station

The Gemini offers' great value for money!

So Compact!



The GEMINI - pictured here in Beech- is fitted with the excellent recessed door design and handy easy up compact back flap



- Fitted with our large lifter opening (type 1929) which is capable of taking many of the newer (and older) machines on the market but not all of, more particularly, the larger domestic sewing machines available today.
- 3 step push down release air-lift mechanism means a quick push down moves your machine from storage to flatbed to free-arm positions.
- Door storage bins are recessed under the lid by means of a specially constructed angled door system this allows your fabric to drape down without catching or disturbing the door bin contents.
- A work area at the back of the machine which prevents the needle drag that can happen with large projects. Lifts up easily when needed and down when not (so it doesn't have to be open all the time). It has a very sturdy gate leg design with Quilters/ Patchworkers in mind but is ideal for all sewing projects.
- Shut the doors and it hides your machine away in a beautiful cabinet. No one would ever know.
- One flatbed inset plate cut to fit your sewing machine is included with this model.
- Arrives fully assembled.

Only needs 2½ ft by 1½ ft floor space when closed

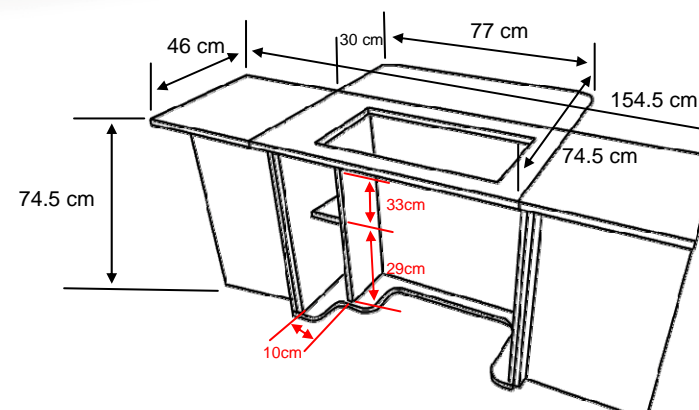
**New**  
Now in 2 super new finishes

Fitted with our longer air-lifter (1929)

(Take a look at page 36 to see how the air-lift works)



**NEED MORE STORAGE?**  
You can add a Rolla storage unit to match in with his modell!



CLOSED - WIDE 77cm (30¼") DEEP 46cm (18¼") inc. drop leaf back HIGH 76cm (30")



The GEMINI - Super compact closed

MODEL 2011 Price includes one flatbed insert (The Cutting mat shown is an optional extra - see pg.29)



# The CALYPSO

-one of our most ingenious designs .... ever!

The CALYPSO - still compact when Closed

**Go Electric!**  
You can have an electric lifter fitted to this model  
(See page 37 for more information)

It will store both your sewing machine and overlocker or perhaps your smaller workshop sewing machine

- Fitted with our Maxi-lifter opening (type 1952) which is capable of taking virtually all domestic sewing machines on the market old or new!
- Maxi air-lift mechanism means a quick push down moves your machine from storage to flatbed to free-arm positions.
- An extra deep drawer, handy shelf, and a recessed table top accessories organiser adds even more storage.
- Door storage bins are recessed under the lid by means of a specially constructed angled door system this allows your fabric to drape down without catching or disturbing the door bin contents, whilst giving unrivalled support to the work surface.
- Stores both a sewing machine and an overlocker, or maybe a second smaller portable, workshop machine.
- Hides both your machines away in a beautiful cabinet that is lockable with a key. No one would ever know.
- One acrylic flatbed inset plate cut to fit your sewing machine is included with this model.
- Attractive soft formed edging finish to the tops.
- Arrives fully assembled.

Inspired door Design

Compared with many of our larger units the CALYPSO needs very little extra floor space when its closed

Fantastic open seating area design



Now fitted with a new 'inset' design where the inset sits inside the aperture on a ledge thus giving an even flusher, smoother, sturdier surface from tabletop to machine arm.... You'll love it!

Like our SUPERIOR model the CALYPSO is made with greater depth to the cabinet .... which is another subtle way of adding to the perfect seating position

Fantastic central seating area.  
For it's compact size, there's never been anything quite like this!!

Fitted with our Horn Maxi air-lifter! (1952)

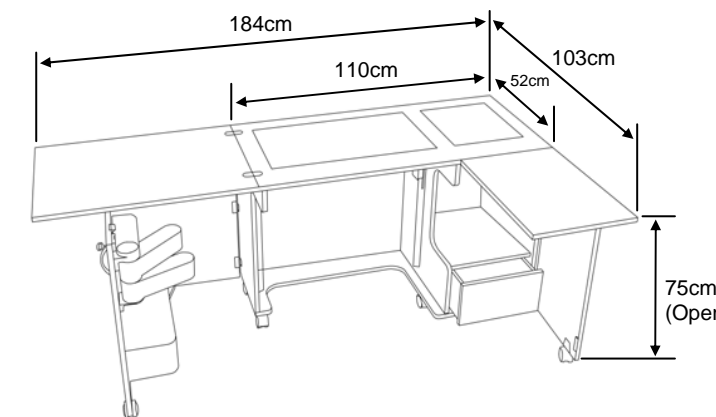
Ideal for the new extra large sewing machines –such as the New Pfaff Icon, Bernina 700 & 800 series, Brother V series, Janome Horizon Range and Husqvarna Epic amongst others but its not just for larger machines its also ideal for all normal sized domestic sewing machines too!

(Take a look at page 36 to see how the air-lift works)

Now fitted with a cable port to the back of the cabinet for improved cable manage-



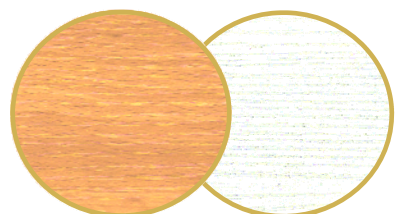
The radical CALYPSO design gives plenty of width and depth to give you greater leg room and ultimately comfort. Made even better if you add our Horn Hobby chair to enhance your perfect sewing position!



CLOSED - WIDE 110cm (43¼") DEEP 52cm (20½") HIGH 76cm (30")

MODEL 1092 Price includes one flatbed inset

## Colour Chart



Beech, White



The NOVA

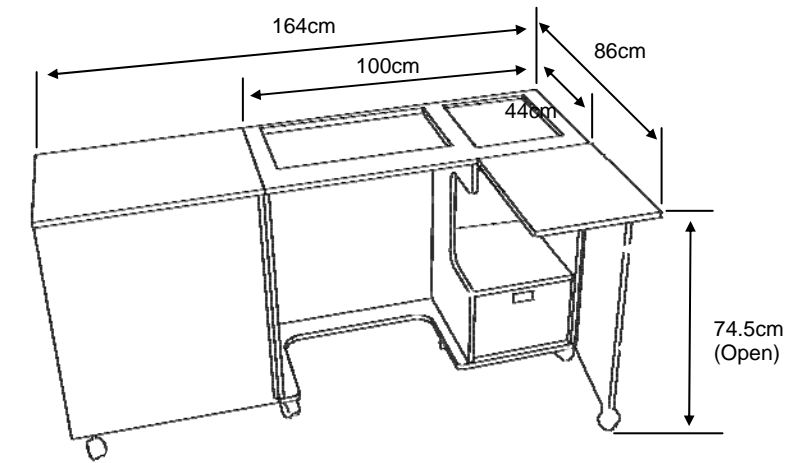
# - the Classic Sewing Cabinet



Closed the NOVA is a handsome compact piece of furniture shown here in Medium Oak

Improved Design!

With the NOVA you can store both your sewing machine, overlocker and all your vital sewing accessories in one easy to get at location - no problem!



CLOSED - WIDE 100cm (39½") DEEP 44cm (17½") HIGH 76cm (30")

Heaps of storage & fitted with a handy removable accessory tray

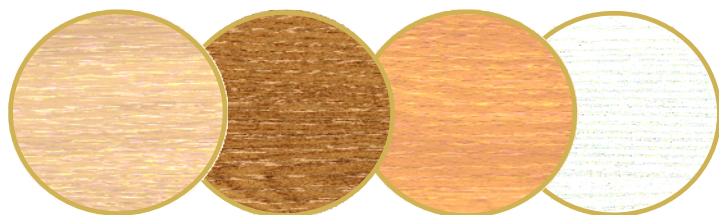


Now fitted with a new 'inset' design where the inset sits inside the aperture on a ledge thus giving an even flusher, smoother, sturdier surface from tabletop to machine arm.... You'll love it!



- Fitted with our large lifter opening (type 1929) which is capable of taking many of the newer (and older) machines on the market but not all of, more particularly, the larger domestic sewing machines available today.
- 3 step push down release air-lift mechanism means a quick push down moves your machine from storage to flatbed to free-arm positions.
- An extra deep drawer, handy shelf, and a recessed table top accessories organiser adds even more storage.
- Transparent door storage bins are recessed under the lid by means of a specially constructed angled door system this allows your fabric to drape down without catching or disturbing the door bin contents.
- Stores both a sewing machine and an overlocker, or maybe a second smaller workshop machine.
- Hides both your machines away in a beautiful cabinet that is lockable with a key. No one would ever know.
- One flatbed insert plate cut to fit your sewing machine is included with this model.
- Arrives fully assembled.

### Colour Chart



Light Oak, Medium Oak, Beech & White

Our most compact unit that can take both an overlocker and sewing machine



Now fitted with a cable port to the back of the cabinet for improved cable management

Fitted with our longer air-lifter (1939)

(Take a look at page 36 to see how the air-lift works)



**The CUB plus**

- the super compact Cub's still as cheeky as ever!

**NEED MORE STORAGE?**  
You can add a Rolla storage unit to match in with his model!

The CUB plus is pictured here in our classy new Weathered Oak finish

**New**  
Now in 2 super new finishes

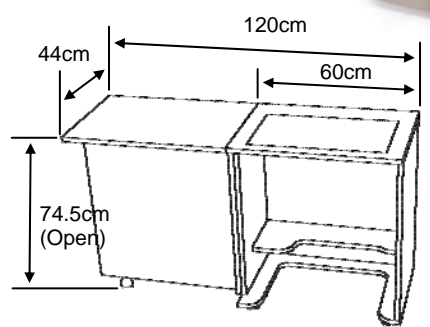
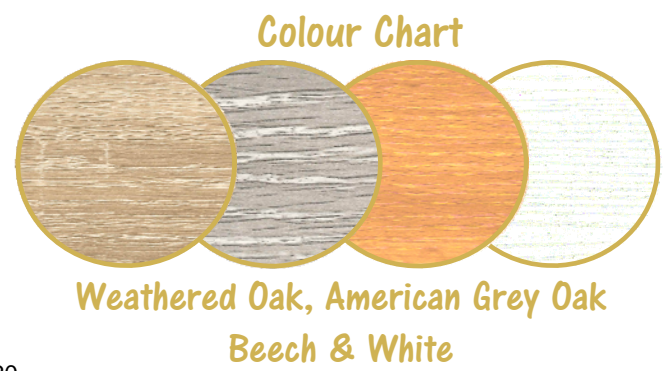
**SO COMPACT!**  
Only 2 ft by 1½ ft when closed



**Fitted with our standard air-lifter (1927)**  
(Take a look at page 36 to see how the air-lift works)

- Fitted with our standard lifter opening (type 1927) which is capable of taking many standard, smaller or older sewing machines on the market but not all of, more particularly, the larger domestic sewing machines available today.
- 3 step push down release air-lift mechanism means a quick push down moves your machine from storage to flatbed to free-arm positions.
- Door storage bins are recessed under the lid by means of a specially constructed angled door system this allows your fabric to drape down without catching or disturbing the door bin contents.
- Shut the doors and it hides your machine away in a beautiful cabinet. No one would ever know.
- Arrives fully assembled.

**The Cub+ offer's so much for your money!**



CLOSED - WIDE 60cm (23¾") DEEP 44cm (17½") HIGH 76cm (30")

MODEL 1010 *The flatbed insert is an optional extra with this unit at £45*



The CUB plus is super compact shown here in Beech

**ROLLA STORAGE**

- add more storage to your existing cabinet!



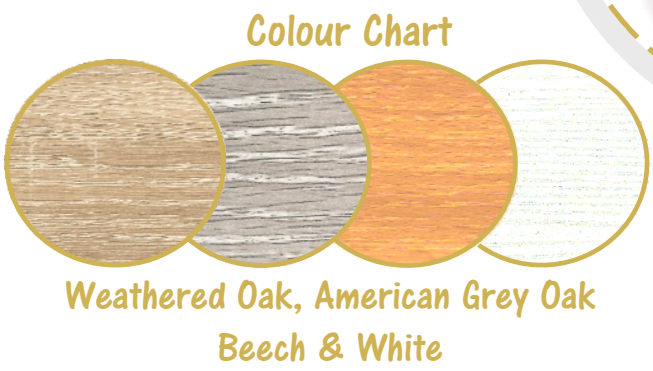
The Rolla storage is so compact and neat...



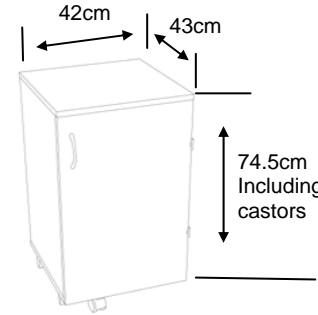
The Rolla storage will sit happily either side of your existing Horn sewing cabinet or have 2..... one for both sides of your cabinet. You've plenty of storage now!

- Compact and easily mobile on 5 large lockable castors.
- 270° door hinges which allow the door to fold conveniently out of the way when its open.
- Robust removable storage trays, ideal to be taken to where you need to work.
- Solid, sturdy & quality construction.
- Made to match in with, more specifically, the Super Q, Gemini, Gemini XL, Cub Plus, Quilter's Delight Mk2 and Elements but will compliment any existing Horn cabinet.
- Arrives fully assembled, the cabinet is beautifully finished front to back, inside and out.
- Made to match the height of a Horn cabinet when its open so creating a valuable level & increased work area.

**New**  
Now in 2 super new finishes



The Rolla Storage closed is compact enough to fit in anywhere.



CLOSED - WIDE 42cm (16½") DEEP 43cm (16¾") HIGH 74.5cm (29")

MODEL 906 shown in Beech



The SEWER'S VISION

- another great idea from Horn  
Ideal for all types of hobby... Sewing, Quilting, Patch work, Cutting, Piecing...anything!!



*This is real magic!*

Your sewing machine can be operated in either a table top position (for free-arm or embroidery use etc... ) or lowered for our inset to be fitted around it to give a huge flatbed sewing position. Alternatively you can remove your machine entirely and use it as a large cutting out surface.

Unrivalled freedom & Comfort.  
No more kneeling, bending or stooping ... for anyone



It easily & conveniently folds up out of the way when not being used

**NEED MORE STORAGE?**  
You can add a Rolla storage unit to match in with his model!

Great table size;  
64" by 36"  
Ideal for all craft uses.

- Tough, knock resistant ABS edging surrounds the top of the table- for increased durability.
- 1" thick table top for extra strength.
- Tilts for storage by means of a pull release catch mechanism to give back valuable floor space to your room.
- Easily height adjustable by simply turning a crank handle.
- Can be raised to work on above other furniture in your room.
- A large height adjustment range to suit virtually any user. Can be lowered to sit at or raised to stand and work at.
- Clever platform mechanism that your sewing machine sits on which can either be dropped for flatbed use (using an inset) or raised for free-arm and embroidery arm use.
- Maxi aperture; giving it the ability to fit even the largest sewing machines on the market.
- One inset to fit your sewing machine is included
- Easily mobile on 4 large, fully lockable wheels.



New! Folding handle



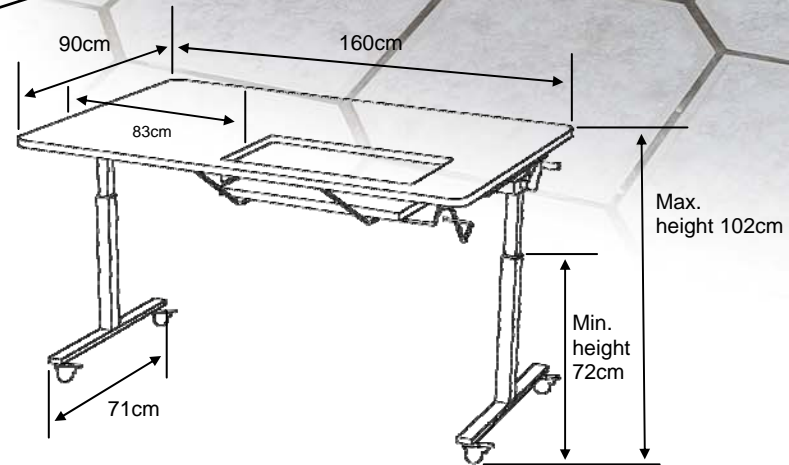
Easy and quick height adjustment by the turn of a handle. Maintenance free, reliable & simple to operate!

Fitted with our Horn Maxi air-lifter!  
(Type 1952)

Ideal for the new extra large sewing machines—such as the Pfaff Icon, Bernina 700 & 800 series, Brother V series, Janome Horizon Range and Husqvarna Epic's amongst others but its not just for larger machines its also ideal for all normal sized domestic sewing machines too!

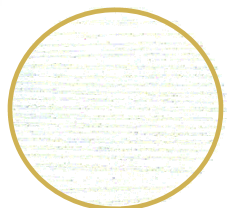
(Take a look at page 36 to see how our air-lift works)

Get the perfect seating position by using our 'Tall' hobby chair  
See pg.35



4 large, rubberised, smooth running, lockable castors

Colour Chart



White

MODEL 3004 Price includes one flatbed inset.



The HI-LO

- arguably the best craft table.... ever!

**The Horn HILO – the table that's taking the Sewing, Patchwork & Quilting community by storm.**

Something that we've been asked for over and over again in the past is a large work surface that has the ability to have its height adjusted. Well its taken its time and after pain staking development.... its now here! From first viewing what's immediately obvious is the quality and strength of its build, it has the same 1" inch thick table top as the STELLA unit, this gives true support & strength when heavy duty use is required and it has a durable ABS knock resistant edging to put up with years of use. It's finished with a hard wearing, fresh and tasteful Beech veneer and now a new clean White finish too. The main construction is of strong steel covered in a home friendly, durable, cream powder coated finish and is fitted with easy mobile lockable wheels, which again are of a commercial grade finish. It is capable of adjusting from a comfortable sitting height of 70.5cm to a full 97.5cm standing height (approx), the overall work area is 102cm (40") x 152.5cm (60") something that will impress even the mightiest of its users. The height is adjusted simply by turning a crank handle which is situated on the side of the table, this crank adjustment has a high turn ratio which allows the user to smoothly and easily raise or lower the table even whilst weight is on it, be it a light project or even with heavier items such as sewing machine equipment. The hand crank system is simple but very effective, foolproof and extremely reliable with far less to go wrong, this will ensure years of trouble free service for which Horn has become renowned. But what if space is a problem? No problem another great feature of the HILO is that it allows the table to tilt upwards out of the way so when not needed it can give back valuable floor space to your room, once up it can be used as a handy design wall.

*Unrivalled freedom & Comfort. No more kneeling, bending or stooping .....for anyone*

**NEED MORE STORAGE?**  
You can add a Rolla storage unit to match in with his model!

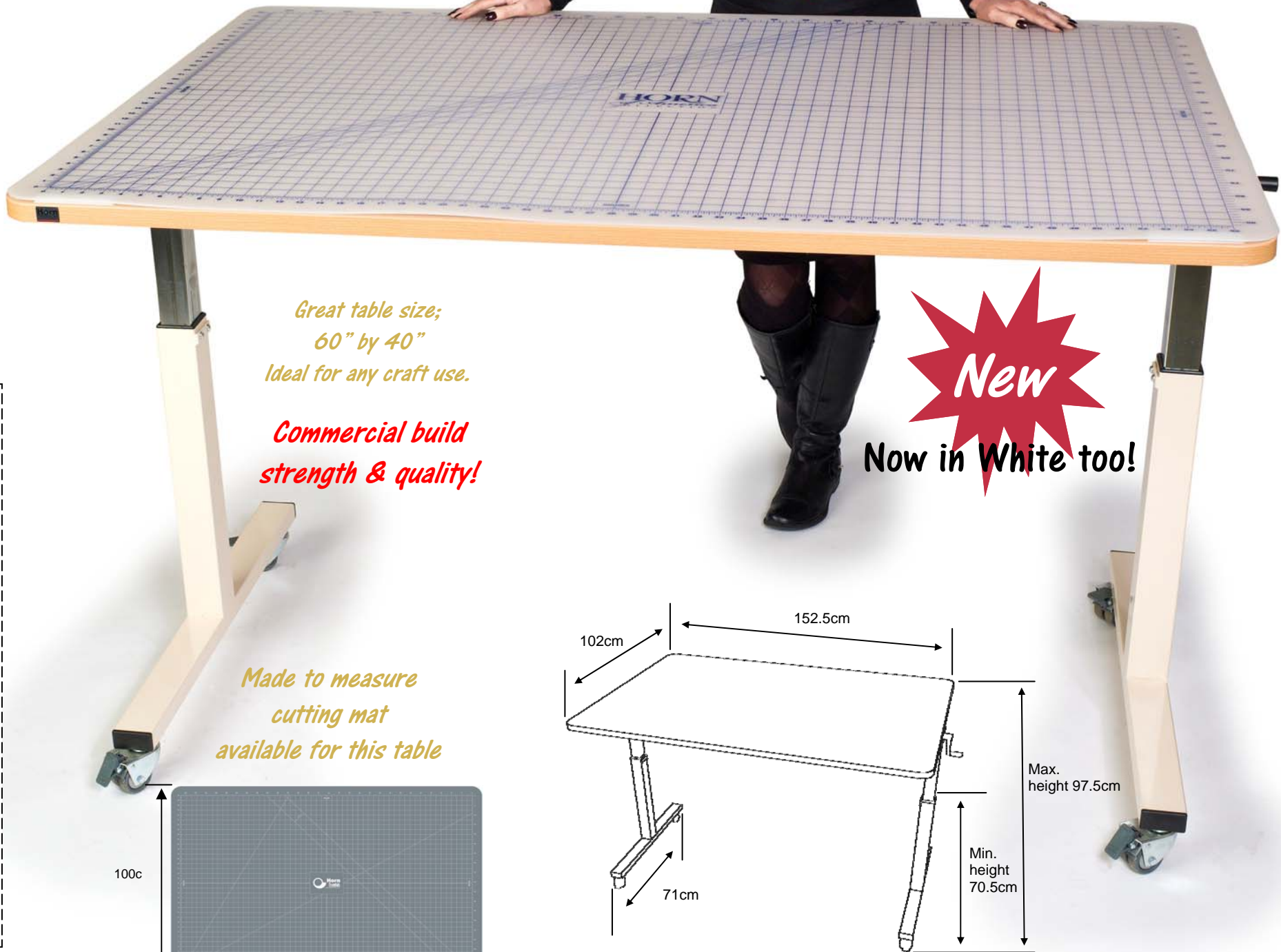


*Easy and quick height adjustment by the turn of a handle. Maintenance free, reliable & simple to operate!*



*Quick, easy, pull-catch release system to tilt table*

*The HILO conveniently folds up out of the way when not in use*



*Great table size; 60" by 40" Ideal for any craft use.*

**Commercial build strength & quality!**

**New**  
Now in White too!

*Not just for sewing.... ideal for photography, graphic work or any craft use*

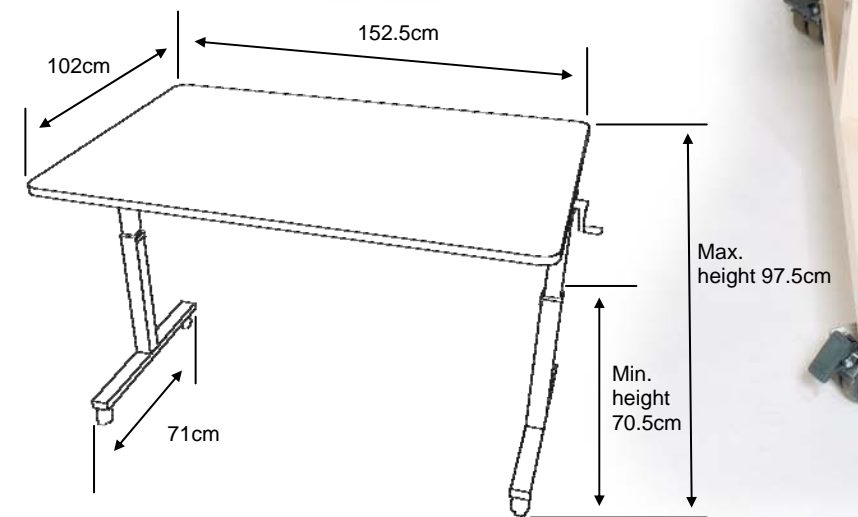
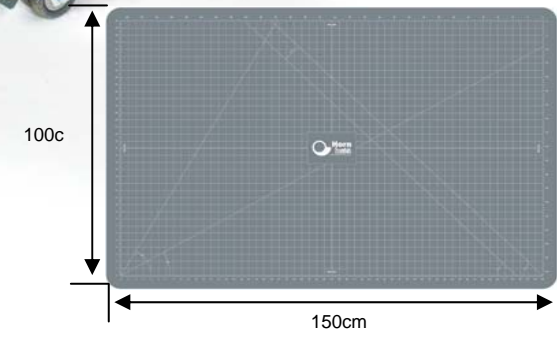
*The HILO will raise to your perfect height. Pictured here with the optional Horn Cutting/ Craft mat*



*Get the perfect seating position by using our 'Tall' hobby chair See pg.35*

*The HILO will easily lower to your sitting height and allows huge leg room*

*Made to measure cutting mat available for this table*



**Colour Chart**

**Beech, White**



# The Maxi HOBBY - TABLE

**New**  
Now in 2 super new finishes

- ▶ A table ideal for Cutting, Quilting, Sewing, smocking in fact any hobby!
- ▶ Storage for both your sewing machine and an overlocker
- ▶ There are storage cupboards on both sides
- ▶ Rounded table corners for safety

- ▶ 87cm (34 1/4 ins) height is ideal for working while standing up. No bending, kneeling or stooping!
- ▶ Incredibly stable construction; easy-rolling castors are attached to a specially designed reinforced frame, much more stable than a folding or dining room table.
- ▶ Rounded corners keep your projects safe from snags and from children catching themselves accidentally.
- ▶ Handy storage cupboards located on both sides. Storage shelves are adjustable or removable.
- ▶ Entire unit quickly folds down and easily rolls away when not in use.
- ▶ Arrives fully assembled. Table is beautifully finished front and back, inside and out.
- ▶ PLEASE NOTE: Due to its size and weight we regret that this cabinet is too large to be taken up an internal staircase by our driver.



Useful storage cupboards both sides...



...one side fitted with an adjustable shelf for larger items...



...the other fitted with removable storage baskets.

Extra stable double leg design



Slim & Mobile when closed

# The CUT EASY Mk2



The Cut Easy Mk2 with cutting/ working surface open.

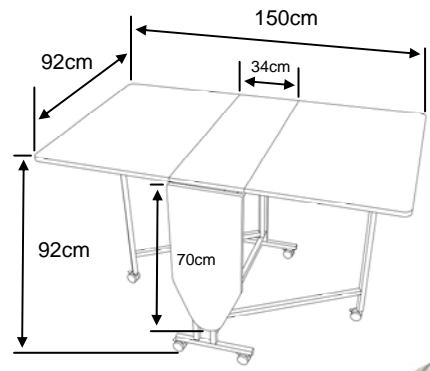


The Cut Easy Mk2's just over a foot wide when its completely folded down -it could fit in anywhere.

- ▶ Extremely compact when closed.
- ▶ Very versatile for all types of craft use.
- ▶ Sturdy construction.
- ▶ Ideal standing height.
- ▶ Handy built in pressing/ ironing board.
- ▶ Huge work surface when fully opened.
- ▶ Easily movable on large lockable castors.
- ▶ Arrives in a ready to assemble form which makes it ideal to build up in awkward to get to places in the home.

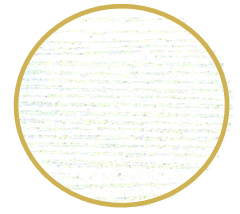


The Cut Easy Mk2 with a partially opened cutting/working surface & pressing table up.



Dimensions when closed:  
34cm (13 1/3") Wide  
94cm (37") Deep  
92mm (3 6/8") High

## Colour Chart



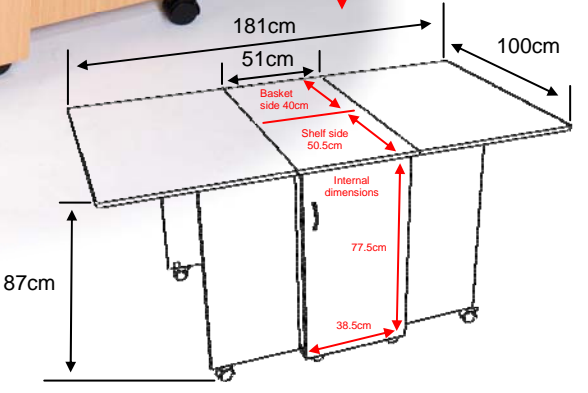
White



The correct height to stand and work at

87cm/  
34 1/4 ins

New larger table size



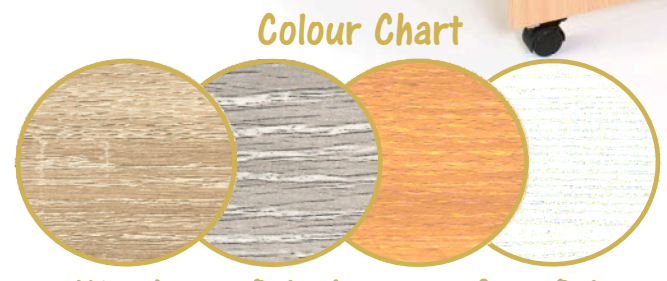
CLOSED - WIDE 100cm (39 1/2") DEEP 51cm (20") HIGH 87cm (34 1/4")

MODEL 2005 - (The Cutting mat shown is an optional extra- see Pg.29)



Cut Easy MK2 completely opened up

Great standing height... 36ins!



Weathered Oak, American Grey Oak  
Beech & White

MODEL 105 - Please note that this unit is self assembly. (The Cutting mat & scissors shown are optional extras- see pages 29 & 38)



**The STELLA Mk2**

**- semi-industrial embroidery machine stand**

**Commercial build strength & quality!**



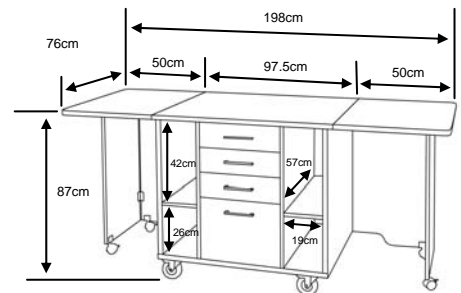
The STELLA Mk2 (Closed)



A cleverly hidden unique slide out hooping platform above the top drawer



- Super sturdy with 8 castors in all, 4 being extra large, heavy duty, lockable wheels fitted to the main body - these make for easy mobility regardless of stored weight and once locked holds rigidly in your chosen place.
- Tough, knock resistant ABS edging surrounds the 1inch thick table- top work surface.
- A unique slide- out hooping platform placed at a convenient height that when not in use hides away above the top drawer- great for additional work room when operating the machine.
- 4 large deep drawers, the bottom drawer being extra deep; perfect for storing bulky machine accessories eg; cap frames....
- 4 large pigeon holes- ideal for storing large embroidery frames, mats etc...
- Lift up work areas either side of the main body that are held in place by sturdy gate leg supports- have them up when more work area is needed and down when not.
- 1inch thick base helps eliminate vibration and limits operational noise.



CLOSED - WIDE 97.5cm (38.3") DEEP 76cm (29.9") HIGH 87cm (34.2")

- 3 Standard drawers (inside measurement of 36cm W x 57cm D x 6.5cm H)
- 1 Deep drawer (inside measurement of 36cm W x 57cm D x 22.5cm H)

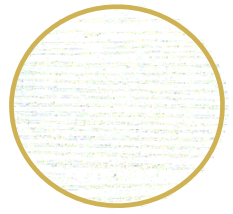
Due to its height, strength & storage the Stella Mk2 is perfect for all kinds of craft and embroidery machines.

Huge storage capacity drawers and pigeon holes ideal for awkward specialist items e.g. embroidery hoops etc...



A perfect height to stand and work at!

**Colour Chart**



White

The STELLA Mk2 Model 3006 (Opened) Please note that this unit is self assembly.

**Horn's Huge Cutting mat**

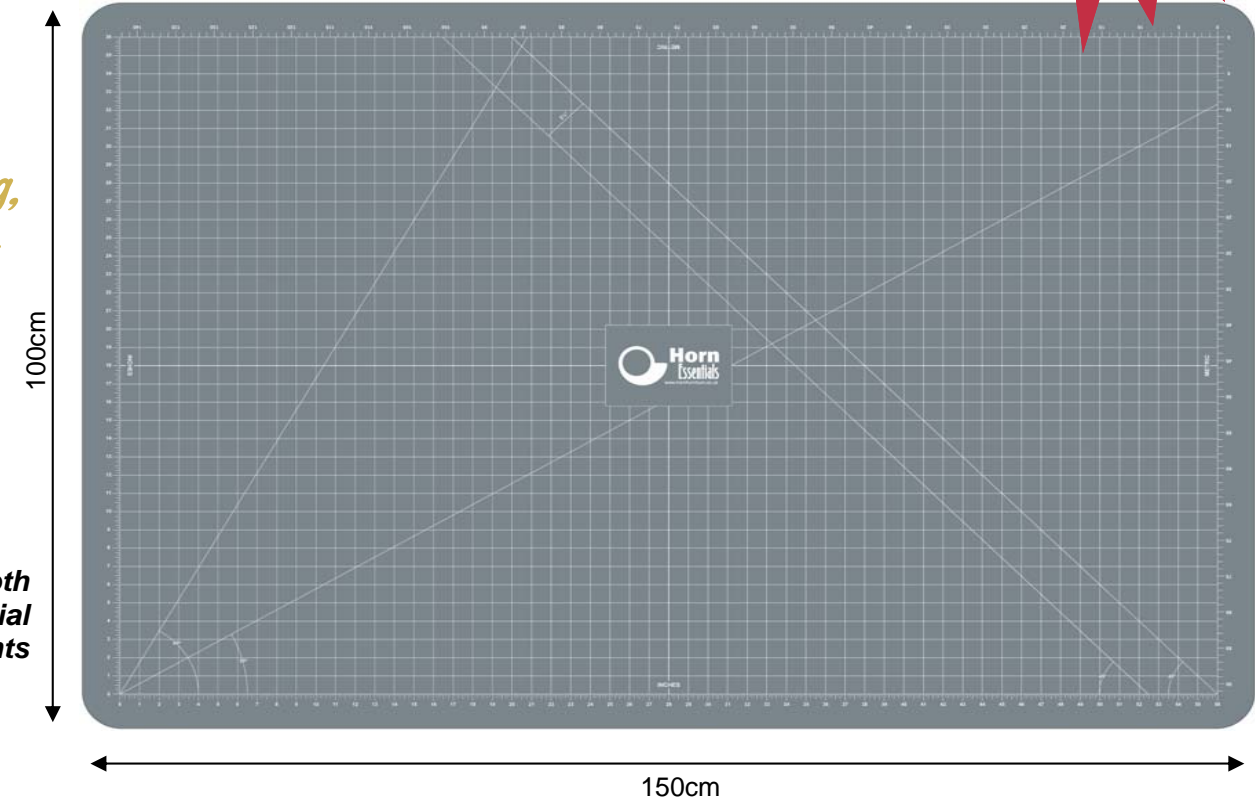
**- high quality cutting mats from Horn**



This huge cutting mat is tailor made to fit the HILO but can be purchased separately for use on a table of your choice.

Hardwearing, top quality mat

Marked with both Metric and Imperial measurements

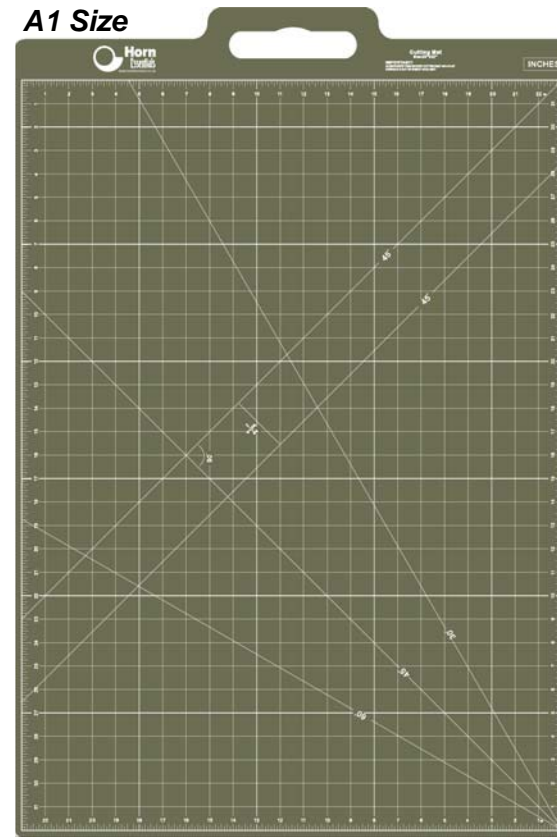


**Our easy to carry cutting mat's**



- Great new easy to work on colour and now in 2 popular sizes.
- Top quality, self-healing, 3mm thickness, designed for rotary cutters.
- Tough, long lasting surface, helps extend the life of your blades.
- Accurate measurements & reversible. Inches one side, metric on the other.
- Made with the highest EN71-3 specifications.
- Convenient carrying handle, which doubles to allow you to hang the mat for storage.

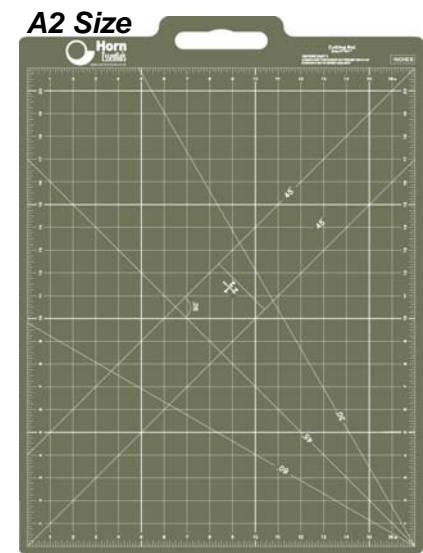
A1 Size



Double sided- Inches one side, Metric the other

The best quality mats you'll ever use!

A2 Size

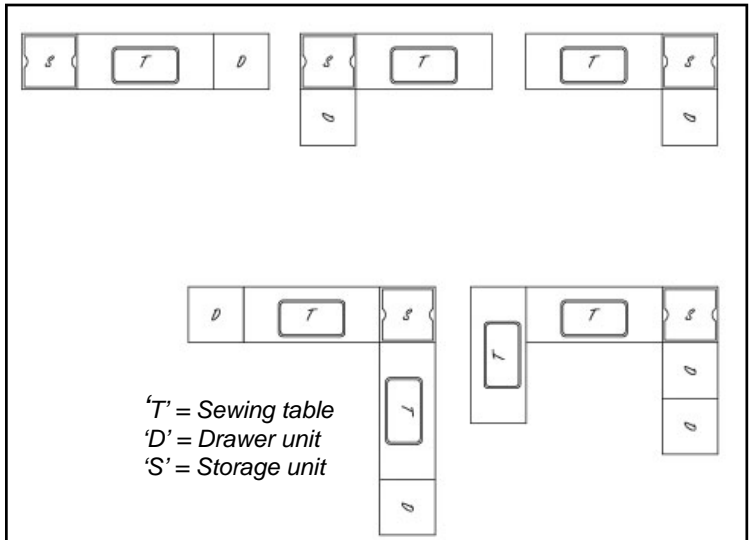


**Horn Essentials**

Professional quality products from the Horn Essentials range....



# The ELEMENTS



The 'Elements' Sewing table (Model 201)

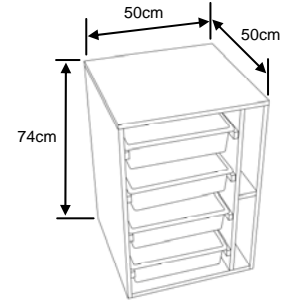
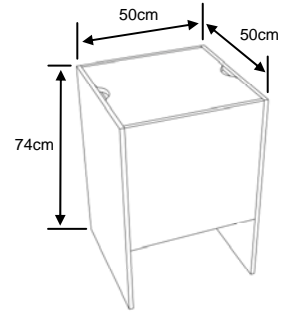
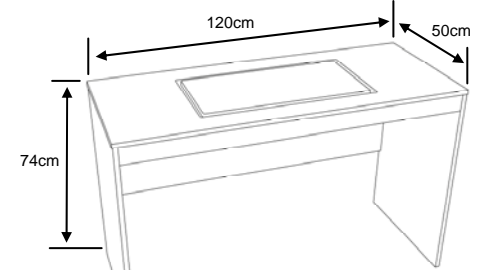
Mix and match units to create your perfect sewing set-up!

**3 different types of unit allowing you to Choose your own arrangement!**  
The clever modular design gives many different configuration possibilities allowing it to fit perfectly into your home. When assembled each unit can be fixed together (with fixings screws provided) to give a sturdy continuous surface. Above we've shown a few setup ideas to get you started....

**The Elements when combined becomes so much more than the sum of its parts!**



The 'Elements' Drawers (Model 202)



The 'Elements' Storage chest (Model 203)

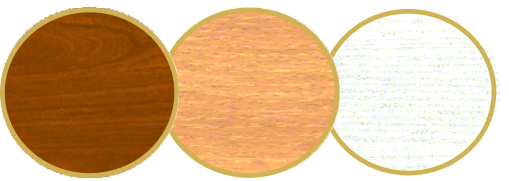
Available in 3 finishes!

A huge spacious seating area allowing the perfect seating position!

Fitted with our maxi opening!

They can be fixed together!

## Colour Chart



Teak, Beech, White

- Available in 3 finishes.
- The 'Elements' clever design allows for many different configurations to fit in with your room.
- Fitted with our maxi aperture/ opening giving it the ability to fit even the largest domestic sewing machines.
- Like our Sewers Vision the Elements table (Model 201) is fitted with a 2-position manual mechanism platform which allows either a flatbed or free-arm sewing position. Each position can be reached by using a quick release adjustment lever. To get the most out of the flatbed position you can purchase a separate flatbed inset (part number- 1942) which can be cut to fit your particular brand and model of sewing machine.
- Great value. Start with just the main table unit and add to it depending on what you decide at that time or at a later date, making it easily affordable.
- Arrives in an easy to assemble form which makes for easy collection and allows it to be built up in awkward to get to places in the home.

in with your room.  
largest domestic sewing machines.  
position manual mechanism platform which allows either a flatbed or free-arm sewing position. Each position can be reached by using a quick release adjustment lever. To get the most out of the flatbed position you can purchase a separate flatbed inset (part number- 1942) which can be cut to fit your particular brand and model of sewing machine.  
what you decide at that time or at a later date, making it easily affordable.  
allows it to be built up in awkward to get to places in the home.

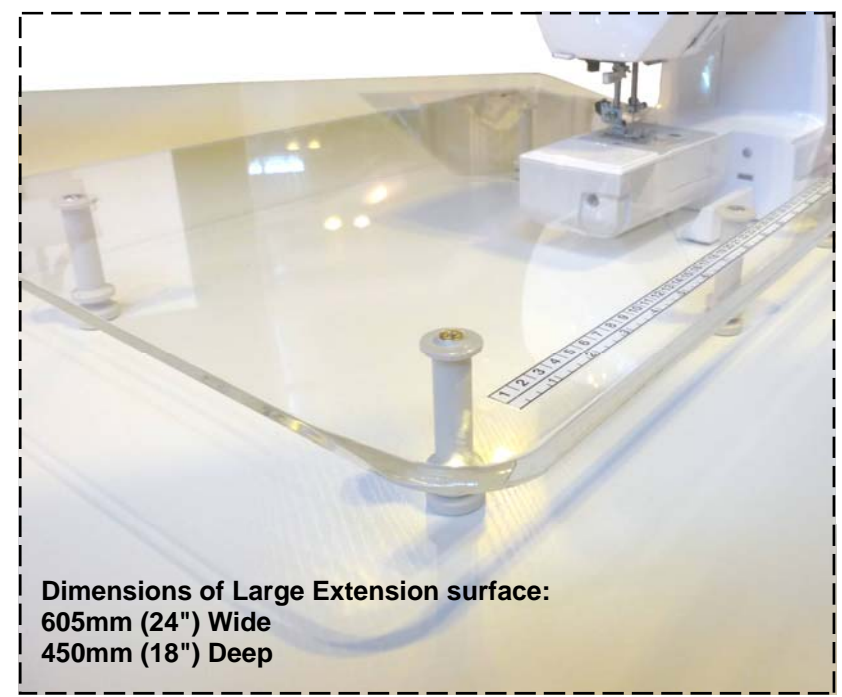
Please note that these units are self assembly. The flatbed insert (1942) is an optional extra with this unit at £62



**Extra large deluxe flat-bed Extension table**

*An extra large deluxe adapter to extend the flatbed work surface of your sewing machine.*

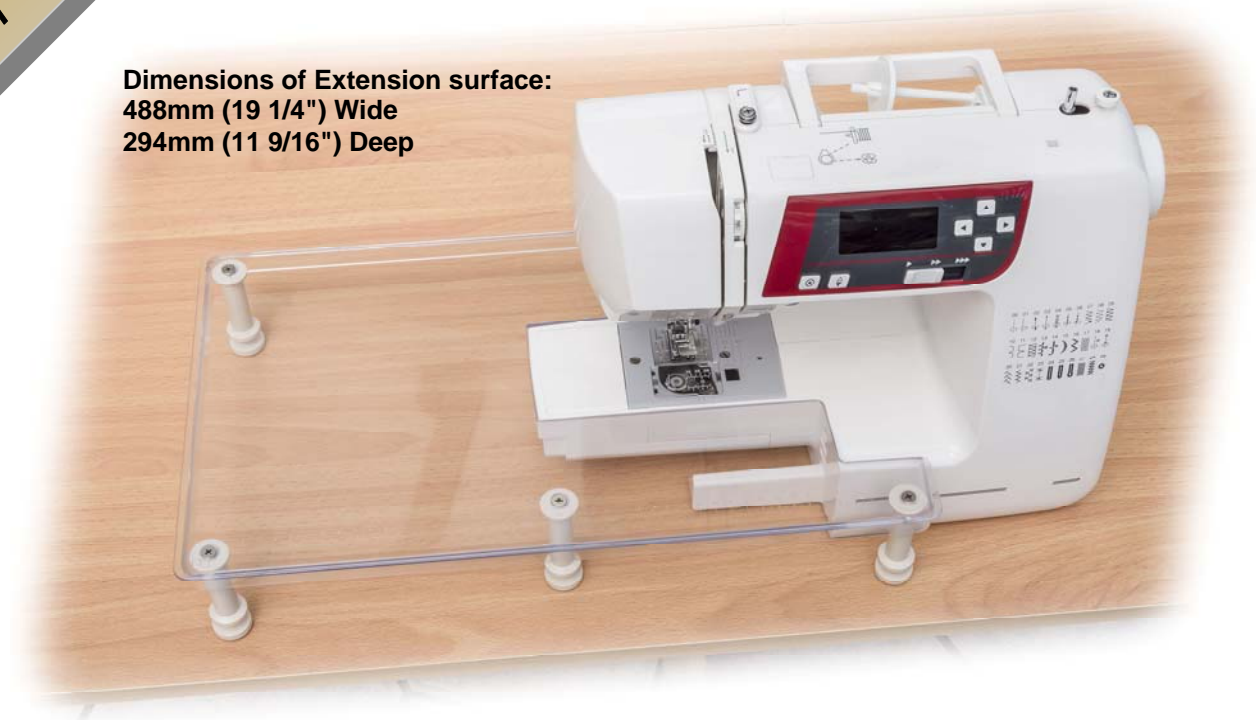
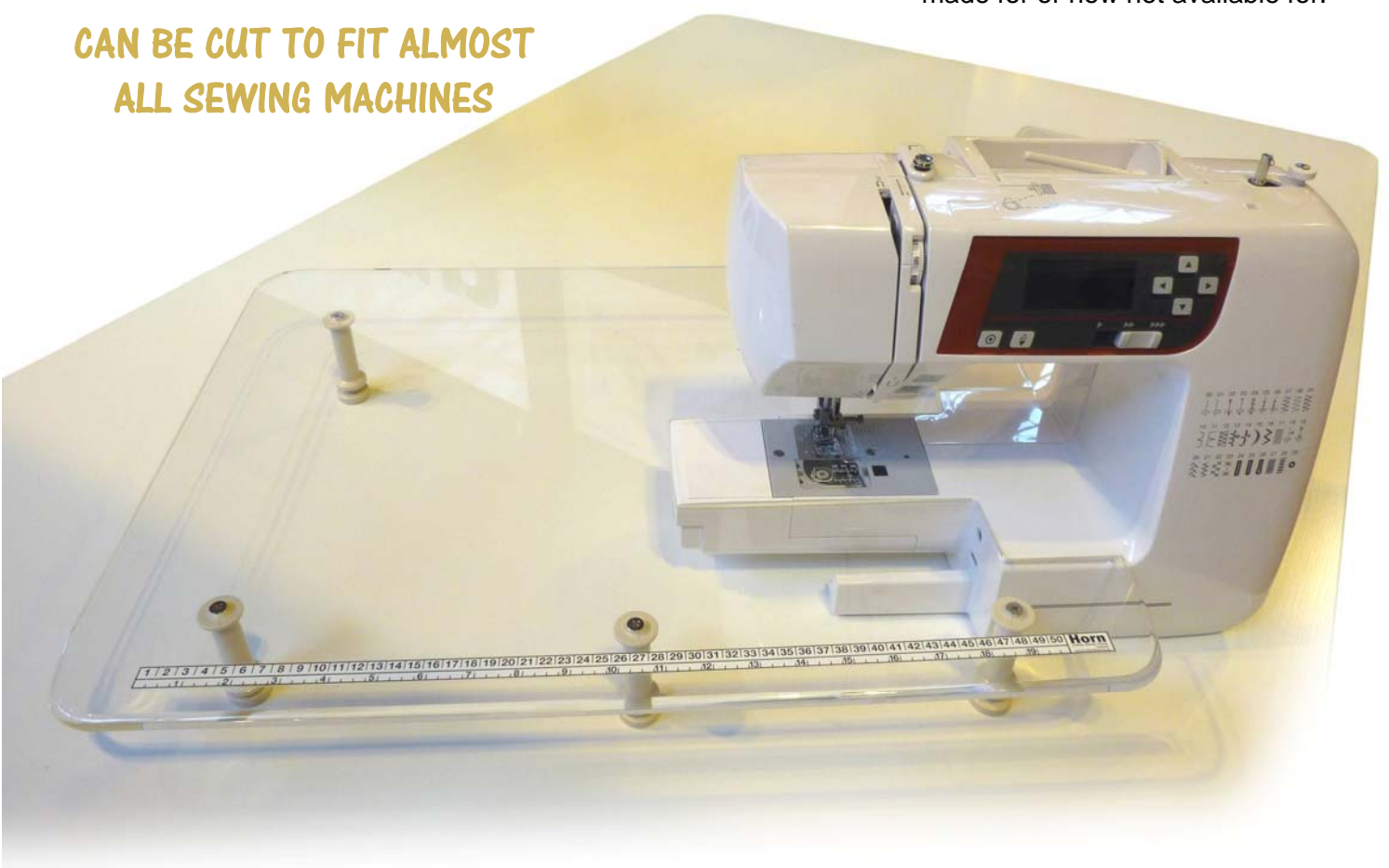
**Flat-bed Extension table**



- Increases your sewing arm to a huge 24ins x 18ins sewing area.
- Can be cut to fit almost all brands of sewing machine.
- 5 height adjustable legs, that can be adjusted to level the table perfectly with your sewing machine.
- Super sturdy! Made from tough, 6mm thick transparent Perspex.
- Light & compact enough to be portable with your sewing machine.
- Beautifully finished with soft formed edges to give you smooth, catch-free movement of material.
- Fitted with a handy tape measure.
- Ideal for all those current or older sewing machines that an extra flatbed adapter table either wasn't made for or now not available for.

**Dimensions of Large Extension surface:  
605mm (24") Wide  
450mm (18") Deep**

**CAN BE CUT TO FIT ALMOST ALL SEWING MACHINES**



**Dimensions of Extension surface:  
488mm (19 1/4") Wide  
294mm (11 9/16") Deep**



- Custom cut to fit almost all sewing machines.
- Handy, portable size.
- Quick, easy assembly.
- Adjustable height legs to allow easy height adjustment to suit your machine.
- Ideal for all those current or older sewing machines that an extra flatbed adapter table either wasn't made for or now not available for.

**CAN BE CUT TO FIT ALMOST ALL SEWING MACHINES**

*An adapter to extend the flatbed work surface of your sewing machine.*





**The HOBBY - CHAIR**

- the original Horn Hobby Chair



As any hobbyist will tell you the most important things you'll need when sitting for long periods is comfort, good support and most importantly a correct sitting posture. The Horn **HOBBY CHAIR** offers all these and more, it features a 3 lever mechanism, this gives precise adjustment of your seating position by allowing you not only to change the height of the chair but the rake, seat tilt and back height positions...just like a luxury car seat. The Horn **HOBBY CHAIR** also offers a sculptured, deep, luxuriously padded seat and back with an approved contoured lumbar support to fit perfectly into your body. It can be quickly raised or lowered to your desired position by means of a gas elevator and is fitted with a smaller castor base to allow you to fit easily into your sewing cabinet. To finish off the perfect chair you have three hard wearing fabrics to choose from **and now** our special 'Limited Edition' fun sewing canvas fabric as well! It's the perfect chair to finish off your perfect sewing room!

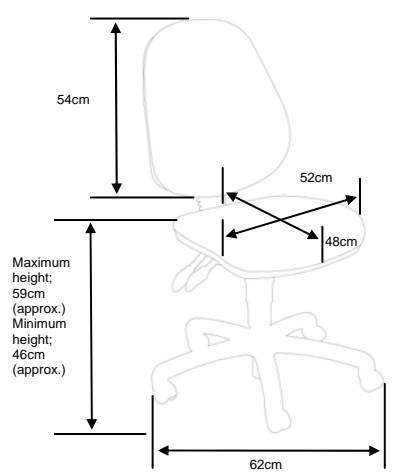
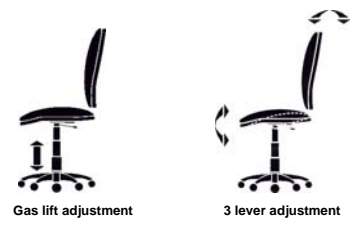
ENDORSED BY.....



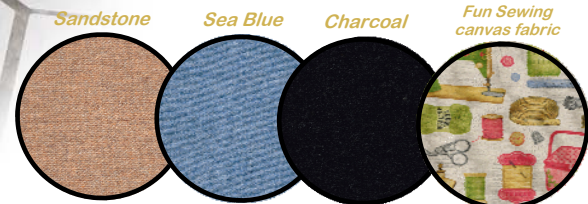
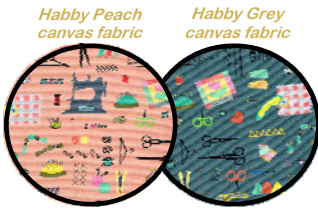
R. QUINN, MCSP, Reg.Mem. HPC, Mem.IEHF and ACPOHE

*"The best seat in the house is now endorsed & approved!"*

The Fabric pictured is our new fun sewing canvas fabric



All dimensions are approximate



Fabric Chart

Like to see a sample of a fabric? - No problem Contact us on 01793 834304 and we'll sort it out for you.

**New**  
Now in 2 super new fabrics

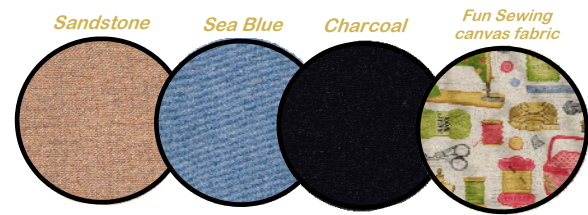
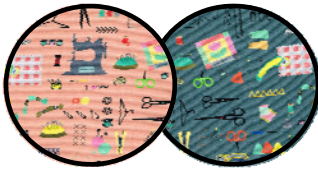


**Our 'Tall' HOBBY - CHAIR**

- the Horn 'Tall' Hobby Chair

**New**  
Now in 2 super new fabrics

Habby Peach canvas fabric Habby Grey canvas fabric



Fabric Chart

Like to see a sample of a fabric? - No problem Contact us on 01793 834304 and we'll sort it out for you.

*"The best seat in the house just got taller!"*

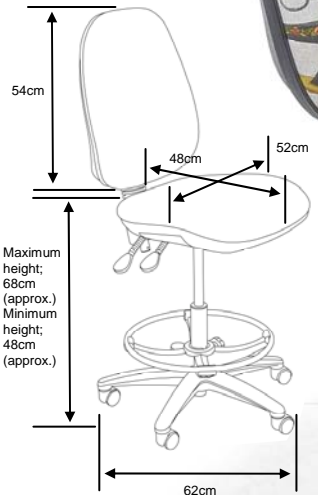
Excellent comfort and support!

**New Fabrics!**

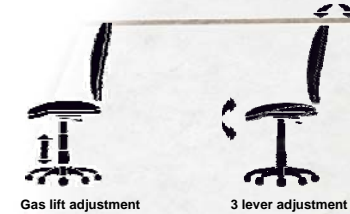
ENDORSED BY.....



R. QUINN, MCSP, Reg.Mem. HPC, Mem.IEHF and ACPOHE



All dimensions are approximate



All the advantages of our normal Hobby chair.... but now with extra height!

The Fabric pictured is our new limited edition fun sewing canvas fabric. Both our 'Tall Hobby' and original 'Hobby' chair's are currently available in this.

THE SAME GREAT FEATURES AS THE HOBBY CHAIR BUT NOW AVAILABLE WITH EXTRA HEIGHT. This will allow you all the endorsed comfort and support of the original Horn Hobby chair but gives a sitting position with a far greater maximum height of 68cm off the ground! (The normal chair being 52cm). This is ideal for sitting at higher surfaces such as our HI-LO, Sewers Vision, Maxi Hobby table, Cut easy Mk2 and now our new Tri-Star utility table or maybe your own kitchen surface, in fact anywhere in your home that has a need for a higher sitting position. PLEASE NOTE: This chair isn't specifically for tall people. We have put a lot of effort into trying to develop it so that you are able to sit at either a sewing cabinet height of (approx.29-30ins) or sit at a standing height surface of (approx. 35-36 ins) but we realise that people are all different so these heights aren't perfect for everyone and might not work for you. If sitting at both of these types of unit is a definite stipulation of your purchase then it'd be best to try to sit on one first, to try it out, before purchasing it.





**Horn Air-Lifter**

Either of our lifter system's system can be adjusted to fit virtually any domestic sewing machine...

*It couldn't be easier or more effective. Simply push down on the top of your sewing machine and it will lift your machine to the desired position for you!*



Table top position (Free-arm position)



Stored position



Position for insert / inset (Flat-bed position)

**YOU NEED NEVER LIFT OR CARRY YOUR SEWING MACHINE AGAIN!**

**Horn Electric-Lifter**



*An exciting new development from Horn means that you can now have a fantastic electric lifting platform .*

You can now upgrade to an electric lifter with 4 of our models; the Superior, the Calypso, the Maxi- Eclipse and the Maxi-Outback. Also if you're already an owner of one of these cabinets dependant on its age and the size of the lifter fitted into it, we can arrange for an engineer to call out and fit an electric lifter into your existing cabinet. Charges will apply for this service. In order for us to do this your cabinet must be fitted with a maxi air-lifter to give the correct dimensions for fitting an electric lifter. For more information on costs please refer to our latest price list or contact us on 01793 834304.

*This button sets the position or positions that you wish the lift to stop in. You can save up to a maximum of 2 preset positions, ideal if you have more than one sewing machine .*



On / off switch

*Up/ down rocker switch. Simply push up to go up and down to go down. It couldn't be simpler!*

**Go Electric!**



**Range of Horn SCISSORS**

*German made quality!*

*The best scissors you'll ever get to use!*

*Excellent, long lasting sharpness- made using the highest grade stainless steel!*



**'A cut above the rest'**

**Horn AIR-LIFTER**

- Horn rear mounted 3 step sewing machine air-lifter

- Now made with a deeper drop (55cm- previous lifter 50cm) and a more powerful gas lifter to cope with today's larger, taller & heavier sewing machines.
- Versatile fixing ability with multi-hole brackets.
- Easier fitment or removal due to its all in one style.
- Smooth & simple to operate lifting operation.
- Solid movement on 8 steel ball roller bearings.
- Fitted with a position locking screw.
- Automatic push-down release mechanism, (no levers), enabling an easy lifting and storing operation for your sewing machine.
- 3 adjustable stop positions.
- Durable zinc plated finish on the mast.
- Solid, reliable German made quality.

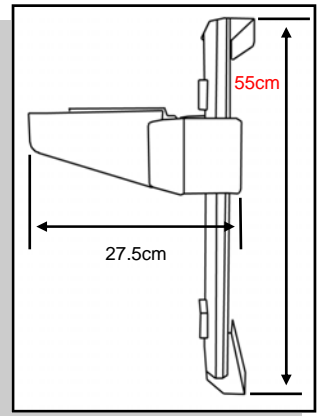
*New improved design, made to deal with today's larger heavier sewing machines*



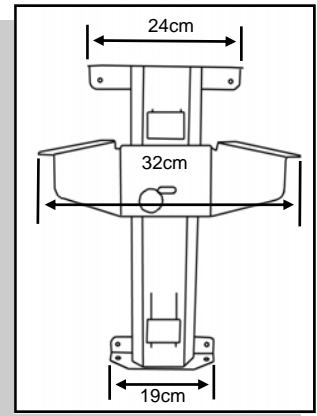
*German made quality!*

*Now made with a deeper drop & fitted with a more powerful gas lifter!*

Side dimensions



Front dimensions



**Have a new sewing machine & need a replacement flat-bed fitting for your Horn cabinet? Here's how...**

New flatbed inserts or insets are available in either an uncut condition to act as a filler for the opening or cut to fit around your particular sewing machine. There are many different types of insert/ inset now so when ordering its essential to have the measurements of the size of the rectangular opening in the top of your Horn sewing cabinet to hand in order for us to take your order and supply you with the correct sized fitting. The information we require from you when placing an order is *(Please also see the diagram below)*;

- The make/ brand and model number or name of your particular sewing machine.
- The length and width of the aperture/ opening that is cut into your cabinet.
- The type of fitting you require. Either an insert, (which has a lip around the edge to prevent it falling through the hole) or an inset, (this a newer style and has no lip and sits inside the hole on a ledge or on holders).

Also any information labelled on your old insert/ inset will help identify the correct insert/ inset size that you will need. If we are still unsure about the particular type of your sewing machine or opening size in the top of your cabinet then taking a photograph and sending that to us by email with your details is a great help.

Below are the different types of Insert/ Inset that we can offer;

**Inserts (have a lip around the edge)**

- 1925 (Hide-away) £39.95 inc P&P (300 x 285mm approx.)
- 1927 (Standard) £52.95 inc. P&P (480 x 285mm approx.)
- 1929 (Long) £56.95 inc. P&P (530 x 285mm approx.)
- 1932 (Maxi insert) £69.95 inc. P&P (615 x 325mm approx.)

**Insets (have no lip)**

- 1939 (New Nova) £69.95 inc. P&P (545 x 300mm approx.)
- 1942 (QD Mk2,etc) £69.95 inc. P&P (615 x 330mm approx.)
- 1952 (Maxi inset) £69.95 inc. P&P(625 x 339mm approx.)

**Flatbed adapter kit**

1928 (Only suitable for 480 & 530mm openings) £49.95 inc P&P

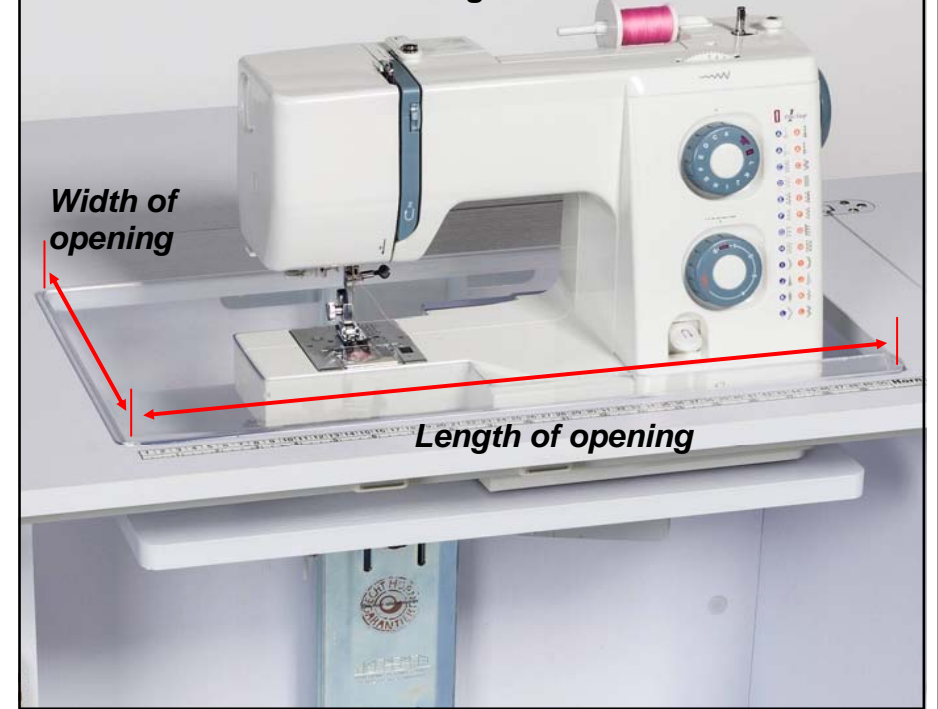
Flatbed extension table adapter with adjustable legs; cut to fit your sewing machine. Page 32.

(487 x 294mm table size approx.) £69.95 inc. P&P

Extra large flatbed extension table adapter with adjustable legs; cut to fit your sewing machine. Page 33.

(600 x 450mm table size approx.) £119.95 inc. P&P

**Measurements we require in order to supply you with the correct insert/ inset fitting**



**ORDER AN INSERT TO FIT YOUR NEW MACHINE TODAY!**